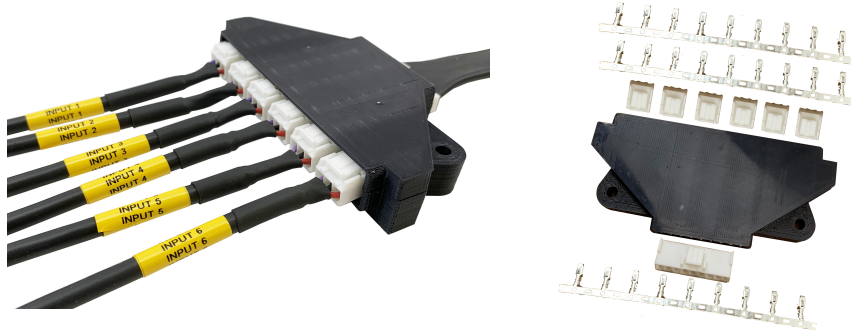
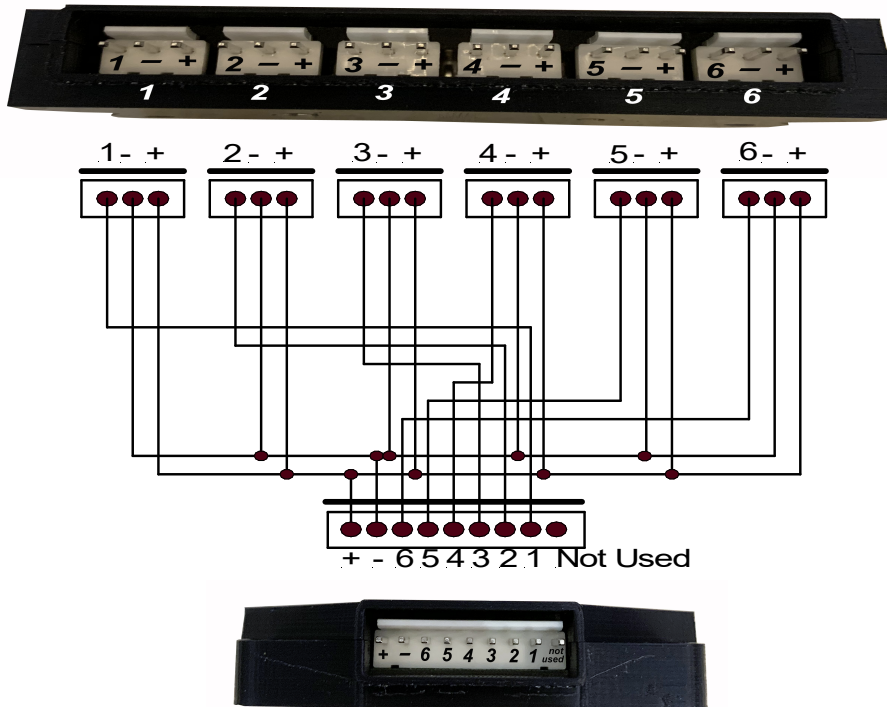


**MPS EFI Hub Installation Instructions**

P/N 1-0919



The MPS EFI Hub, P/N 1-0919 makes wiring your EFI sensors clean and easy. It feeds one 5V sensor power and one sensor ground to 6 individual sensors without splicing. It uses individual 3 conductor connectors for each sensor. Sensors can be swapped at the hub for troubleshooting or use different sensors altogether. Multiple hubs can be used to clean up your installation. They are a compact 1.75" x 4" x .75" and can be stacked. The hubs circuit board is robust and can carry 2A of current so it can be used for outputs as well with 12V, 5V, or ground.



If you have any more questions we have a Frequently Asked Questions page at our web site as well as the telephone tech support. Thank you for your purchase of this MPS product. All products sold by MPS are for use at closed course competition events and not for use on public streets or highways.