



INSTALLATION INSTRUCTIONS

MSD Powersports Launch Master PN 4350

Parts Included:

1 - Launch Master, PN 4350

1 - Harness

1 - Velcro strip

Note: The Launch Master is a low-rpm limiter that will not provide nor modify any over-rev protection. The stock high rpm rev-limiter will still be active.

The MSD Powersports Launch Master is a universal low rpm limiter. The Launch Master will provide consistent launches and quicker 60-foot times. RPM adjustments are made via two rotary switches located on the harness side of the unit. The adjustment range is from 1,800 to 9,900 rpm, in 100 and 1000 rpm increments. An LED will illuminate when the launch rev limit is active.

Note: It is recommended to have the service manual for your motorcycle.

MOUNTING

The Launch Master can be mounted in any position but keep in mind to mount it so the rotary dials are accessible for adjustments. A section of Velcro is supplied for mounting. Double sided tape or tie wraps are also recommended depending on the final mounting area. Before mounting the unit, confirm that the wiring harnesses reach their connections.

WIRING	
4-WIRE CONNECTOR	
TAN	Signal Connections.
4-WIRE CONNECTOR	
RED	12-Volt Connection through this single Red wire.
3-WIRE CONNECTOR	
BLACK	Connects to a good engine ground or the negative battery terminal.
BLUE	Activation Wire. When grounded, the launch feature will be active. The harness is supplied from MSD for a ground activation.
WHITE/BLUE	Activation Wire. When switched to 12 volts, the launch feature will be active. (The position of the blue wire on the connecting 3-pin harness must be moved.) Note: Never connect both the Blue and White/Blue wires at the same time. Note: The stock clutch lever or aftermarket clutch lever with momentary switch can be used to activate the Launch Master.

LED

The built-in LED will illuminate when the Launch Master is activated.

Note: Refer to your service manual for coil accessibility.

1. Locate and disconnect the 2-pin connectors from each of the four ignition coils.
2. Connect the four male 2-pin connectors of the MSD to the harness side of the engine's coil harness. At this point, do not connect the coils.
3. Connect the 4-pin connector with the single Red wire to the MSD harness with the four Orange wires.
4. Turn the power ON at this point to test to see if the wiring is correct. Ground the Blue launch wire. If the LED turns ON with the Blue wire grounded, the correct connections were made. If there is no power, swap the Orange connector with the 4-pin harness with Green wires.
5. Turn the power OFF and connect the four Tan wires of the MSD to the remaining connector of the harness (either the Green or Orange wires).
6. Connect the harness to the coils.

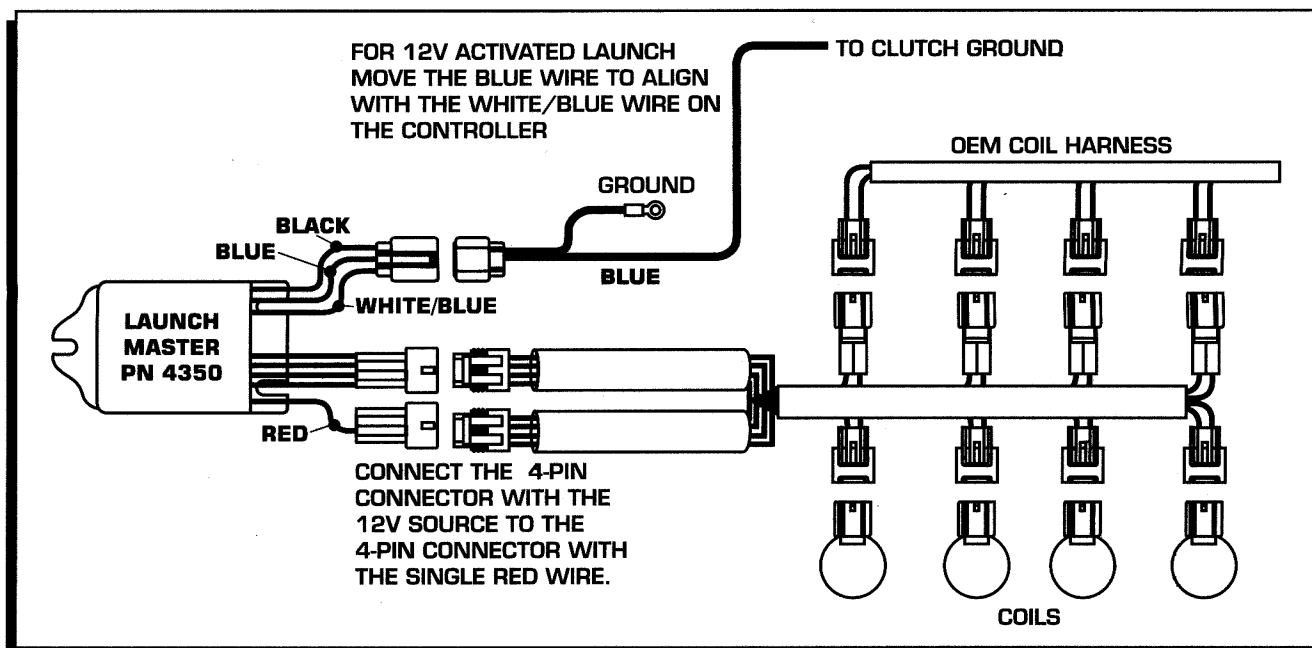


Figure 1 Wiring the Launch Master.

CONNECTING THE LAUNCH WIRE

Most motorcycles have a clutch switch that provides a ground when the clutch is engaged. This is the default wiring of the Launch Master. If you prefer to activate the launch limit with 12 volts, disassemble the 3-pin connector and move the Blue wire to align and connect with the White/Blue wire (Figure 2).

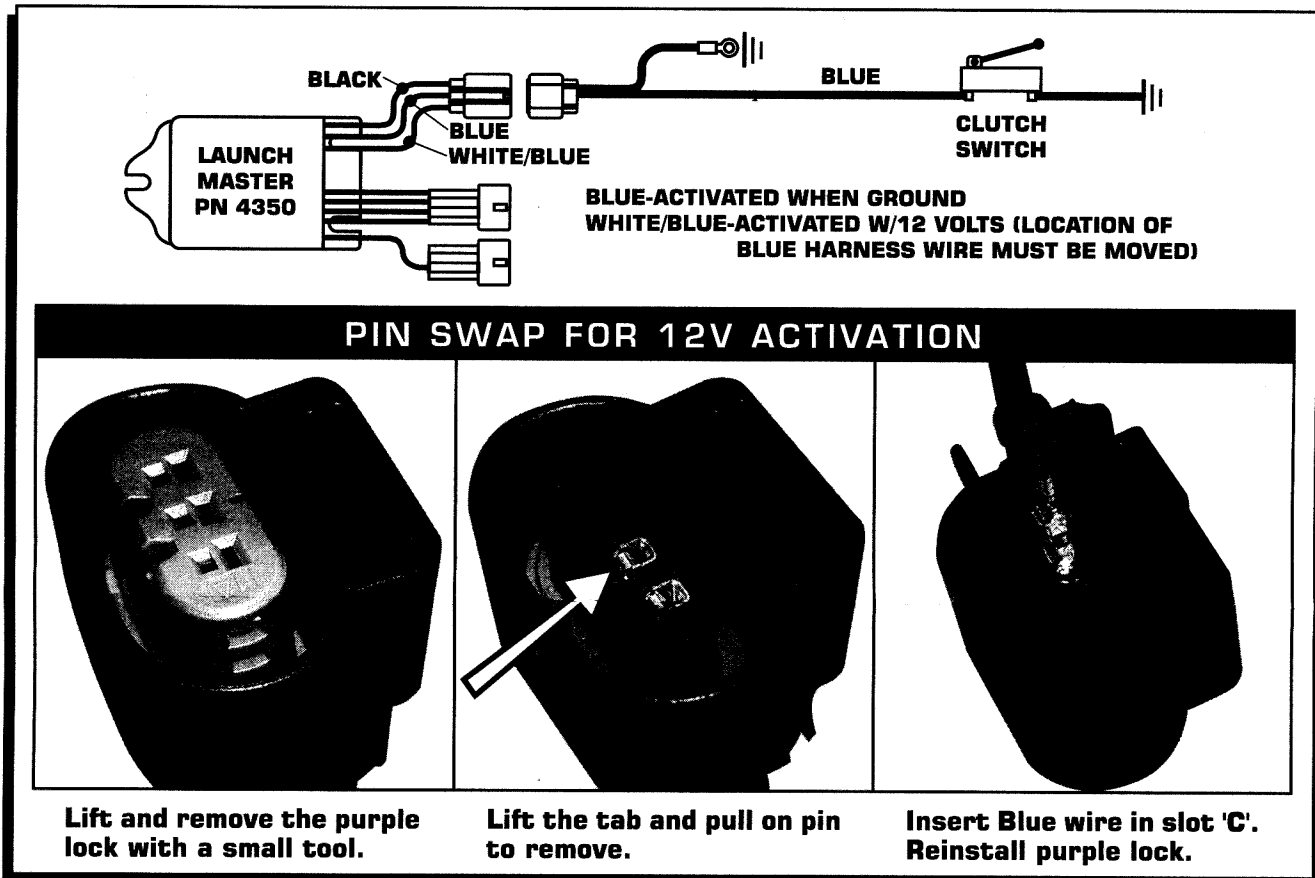


Figure 2 Wiring the Launch Activation Wire.

CONFIRM INSTALLATION

With the power ON, activate the clutch switch. When everything is correct, the LED will illuminate. To verify the rpm, set the limit at a lower rpm, such as 3,000, and test the system.

If the engine has trouble starting or running, check the following:

- Ground connection
- Coil connections
- The two 4-pin connectors may be in the wrong position and should be swapped and tested again.

Note: Due to safety controls on some applications, the launch rpm limit may be activated when the bike is in neutral or when the kickstand is down.



INSTALLATION INSTRUCTIONS

TECH NOTES

Service

In case of malfunction, this component will be repaired free of charge according to the terms of the warranty. When returning components for service, Proof of Purchase must be supplied for warranty verification. After the warranty period has expired, repair service is charged based on a minimum and maximum charge.

All returns must have a Return Material Authorization (RMA) number issued to them before being returned. To obtain an RMA number please contact MSD Customer Service at (888) 258-3835 or fax a request to (915) 857-3344. Send the unit prepaid with proof of purchase to the attention of: **MSD Powersports, Customer Service - RMA #, 12120 Esther Lama, Dock 5, El Paso, Texas 79936.**

When returning the unit for repair, leave all wires at the length in which you have them installed. Be sure to include a detailed account of any problems experienced, and what components and accessories are installed on the vehicle.

The repaired unit will be returned as soon as possible after receipt, COD/Cashiers Check for any charges. For more information, call the MSD Powersports Customer Service Line **(888) 258-3835**. MSD Powersports technicians are available from 8:00 a.m. to 5:00 p.m. Monday - Friday (Mountain Time).

Limited Warranty

MSD Powersports warrants this product to be free from defects in material and workmanship under its intended normal use* and if properly installed, for a period of one year from the date of original purchase. If found to be defective as mentioned above, it will be repaired or replaced at the option of MSD Powersports. Any item that is covered under this warranty will be returned free of charge through standard shipping methods. If faster service is required the customer has the option of paying for this service.

This shall constitute the sole remedy of the purchaser and the sole liability of MSD Powersports. To the extent permitted by law, the foregoing is exclusive and in lieu of all other warranties or representations whether expressed or implied, including any implied warranty of merchantability or fitness. In no event shall MSD Powersports or its suppliers be liable for special or consequential damages.

*Intended normal use means that this item is being used as was originally intended and for the original application as sold by MSD Powersports. Any modifications to this item or if it is used on an application other than what MSD Powersports markets the product, the warranty will be void. It is the sole responsibility of the customer to determine that this item will work for the application they are intending. MSD Powersports will accept no liability for custom applications.