

SOLID STATE LANYARD SWITCH
PN 00-00-0522

Parts Included:

- | | |
|-----------------------|-------------------------|
| 1 - Switch assembly | 1 - Bolt |
| 1 - Lanyard assembly | 2 - Butt Connectors |
| 1 - Handlebar bracket | 2 - Cable ties |
| 1 - Washer | 2 - Ring Lug Connectors |

This Lanyard Switch features solid state circuitry and has no moving parts. This design prevents the chance of vibration induced power interruption (common due to the contacts of conventional lanyards). With no moving contacts, the FDP Lanyard will ensure complete contact even through the harshest circumstances. All MSD and Factory Direct Performance Motorcycle and Total Loss Ignitions will work with this lanyard.

Note: This Switch has a maximum current draw rating of .6 amp. It must only be installed on ignitions that have the On/Off wire separate from the main power source wiring. Connecting this Switch to the power source will not allow operation of the ignition.

Note: Do not use with Dyna S Ignitions if they are used as the complete ignition system. See Wiring Diagram 2.

INSTALLATION

1. Slide the handle bar bracket over the end of the handle bar with the post facing the rider. It can be mounted on either the top or bottom of the handlebar.
2. Slide the switch assembly over the post with the wires facing towards the vehicle.
3. Insert the bolt through the washer and install through the post. Tighten firmly.
4. The Lanyard should rotate freely on the bracket.

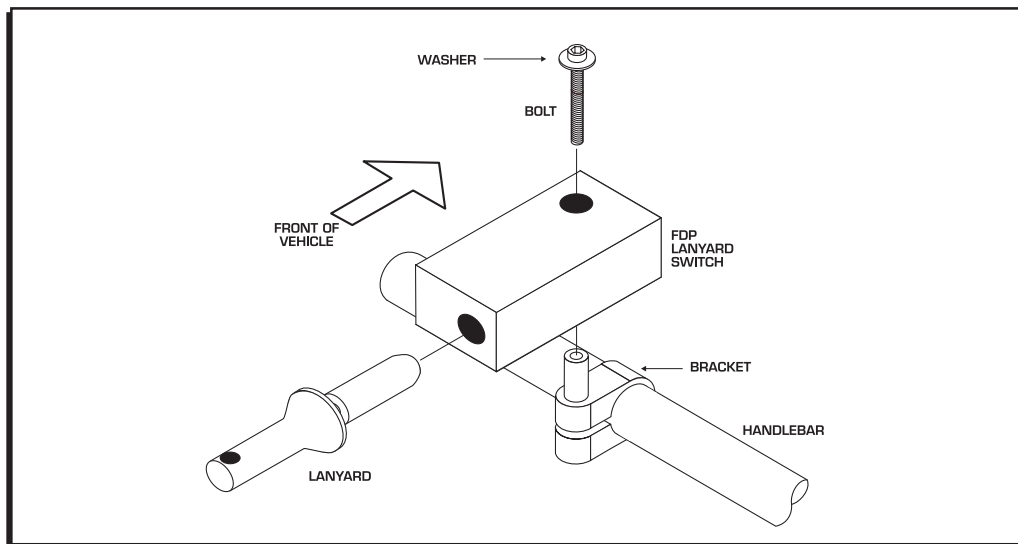


Figure 1 Mounting Bracket Assembly.

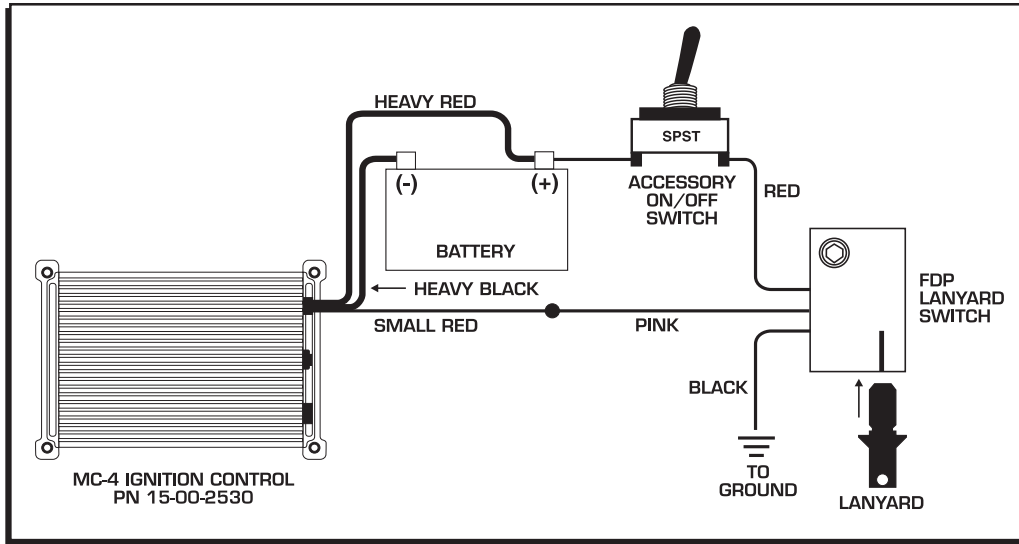


Figure 2 Wiring the FDP Solid State Lanyard.

Service

In case of malfunction, this component will be repaired free of charge according to the terms of the warranty. When returning components for service, Proof of Purchase must be supplied for warranty verification. After the warranty period has expired, repair service is charged based on a minimum and maximum charge.

Send the unit prepaid with proof of purchase to the attention of: **Customer Service Department, Factory Direct Performance, 1355 Pullman Dr., El Paso Texas 79936.**

When returning the unit for repair, leave all wires at the length in which you have them installed. Be sure to include a detailed account of any problems experienced, and what components and accessories are installed on the vehicle.

The repaired unit will be returned as soon as possible after receipt, COD/Cashiers Check for any charges. For more information, call the FDP Customer Service Line **(915) 858-3365**. FDP technicians are available from 8:00 a.m. to 5:00 p.m. Monday - Friday (Mountain Time).

Limited Warranty

Factory Direct Performance warrants this product to be free from defects in material and workmanship under its intended normal use* and if properly installed, for a period of one year from the date of original purchase. If found to be defective as mentioned above, it will be repaired or replaced at the option of Factory Direct Performance. Any item that is covered under this warranty will be returned free of charge through standard shipping methods. If faster service is required the customer has the option of paying for this service.

This shall constitute the sole remedy of the purchaser and the sole liability of Factory Direct Performance. To the extent permitted by law, the foregoing is exclusive and in lieu of all other warranties or representations whether expressed or implied, including any implied warranty of merchantability or fitness. In no event shall Factory Direct Performance or its suppliers be liable for special or consequential damages.

*Intended normal use means that this item is being used as was originally intended and for the original application as sold by Factory Direct Performance. Any modifications to this item or if it is used on an application other than what Factory Direct Performance markets the product, the warranty will be void. It is the sole responsibility of the customer to determine that this item will work for the application they are intending. Factory Direct Performance will accept no liability for custom applications.